



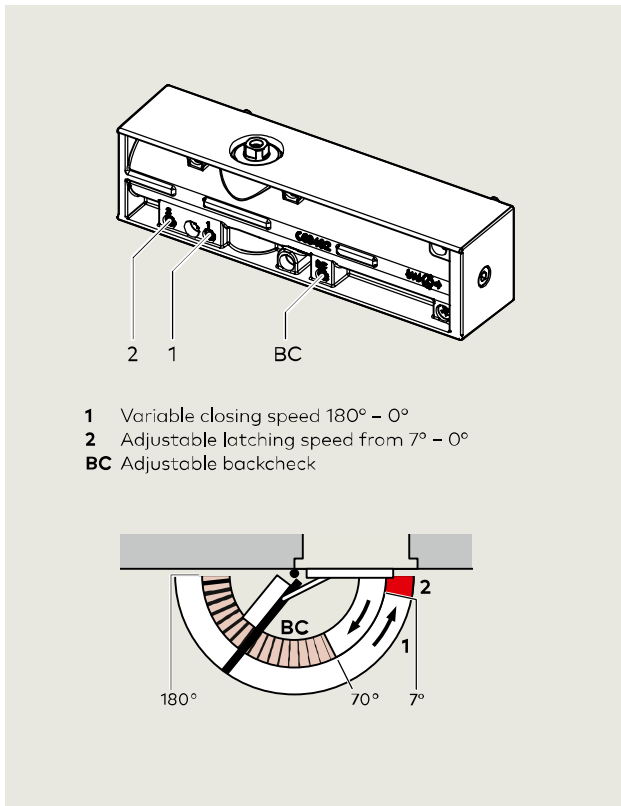
TS Match
Slide channel
door closer
EN 3–5



TS Match – the reliable door closer for standard doors

Tested according to EN 1154 / CE

The TS Match supplements the comprehensive slide channel door closer range from dormakaba. The closing speed is infinitely adjustable and with the concealed mounting plate which is optionally available the TS Match is the perfect door closer for the initial equipment of the door.



Data and features

Closing force adjustable	Size EN 3-5
Standard doors	≤ 1250 mm ●
External doors, outward opening	≤ 1250 mm ●
Fire and smoke control doors	≤ 1250 mm ●
Some design for DIN-L and DIN-R	●
Arm assembly type	Slide channel ●
Adjustable closing speed via a valve	180°-0° ●
Adjustable latching speed via a valve	7°-0° ●
Adjustable backcheck via a valve	●
Weight in kg	2,285
Dimensions without slide channel in mm	Length 228
	Overall depth 50
	Height 60
Door closer tested according to EN 1154	●
CE mark for building products	●

● yes - no

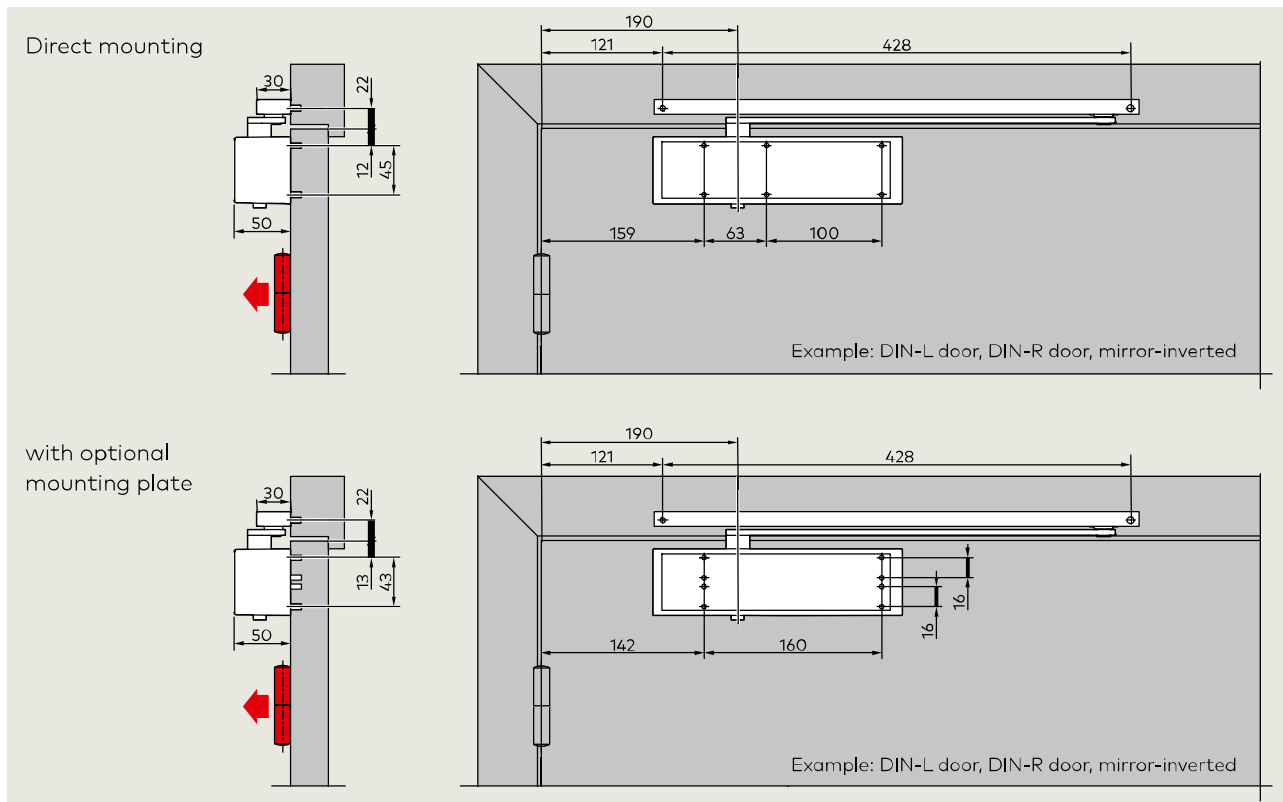
Order number

TS March EN 3-5 incl. Slide Channel	silver P 600 sim. to RAL 9006	3700003500701
	white P 100 sim. to RAL 9016	3700003500711

Mounting Plate	3700003500101
-----------------------	---------------

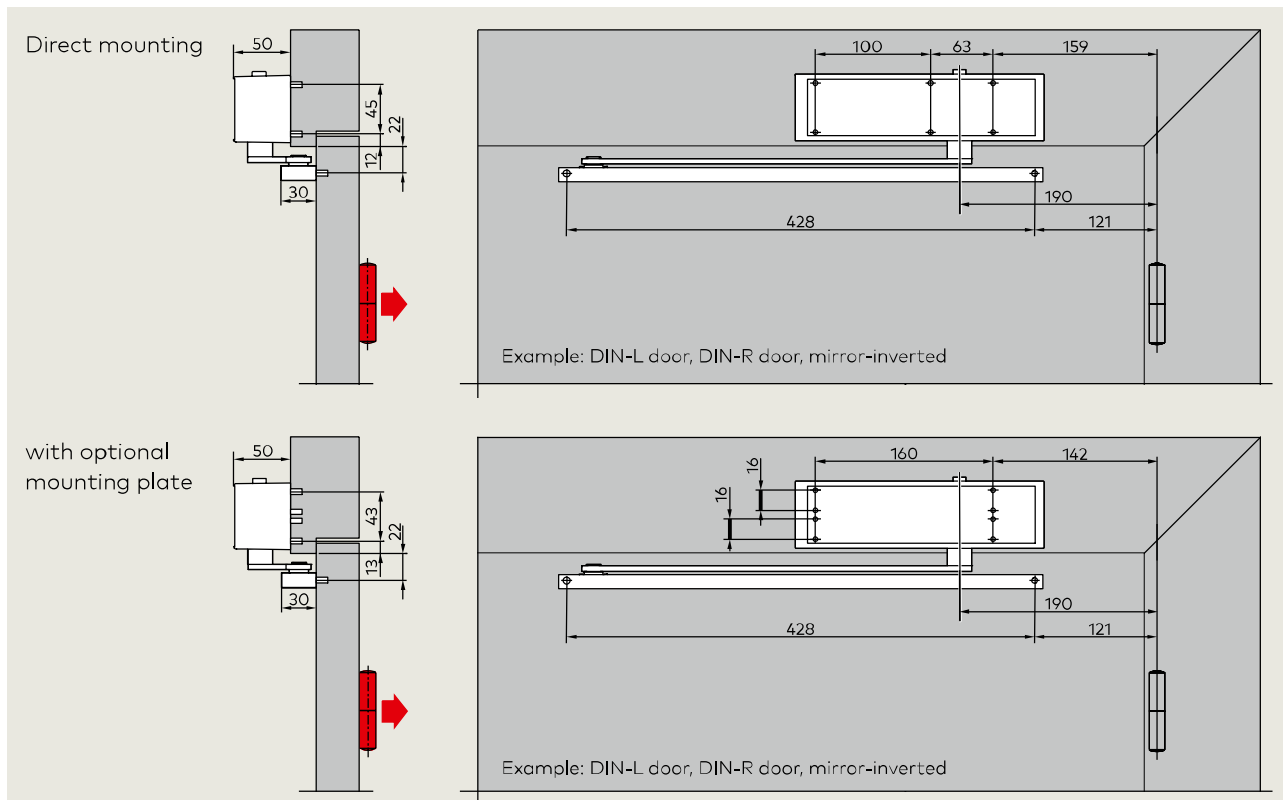
For fastening the door closer to fire and smoke control doors as well as to those doors where no direct fastening is possible; with universal hole pattern according to Supplement 1 to DIN EN 1154.

TS Match door installation, pull side



A 180° opening angle is possible in this installation type, provided that the appropriate construction conditions are met. In most cases, the door closer requires a wall recess for that purpose.

TS Match, transom installation, push side



Depending on construction conditions, the door opening angle is limited to approx. 120° to 145°. To prevent damage to the door and door closer, we recommend using the opening restrictor or placing a door stop.



Door Hardware



**Entrance
Systems**



**Electronic
Access & Data**



**Interior Glass
Systems**



**Mechanical
Key Systems**



Service

**dormakaba Deutschland
GmbH**

DORMA Platz 1
D-58256 Ennepetal
T +49 2333 793-0
info.de@dormakaba.com
www.dormakaba.de